

Slide/ Directional gates Features

- Are made from heavy duty steel sheets with suitable thickness according to the international standard specification's with the required fasteners as required.
- It can be operated electrical / pneumatic as per applications and can be operated manually in case of power failure and emergency condition.

Main features

Casing

Fabricated from high strength material coated with (Painted , Hot deep galvanized or stainless steel) lined with abrasion-resistant material (UHMW, PEHD, Hardox....etc.) according to material characteristics.

Flap

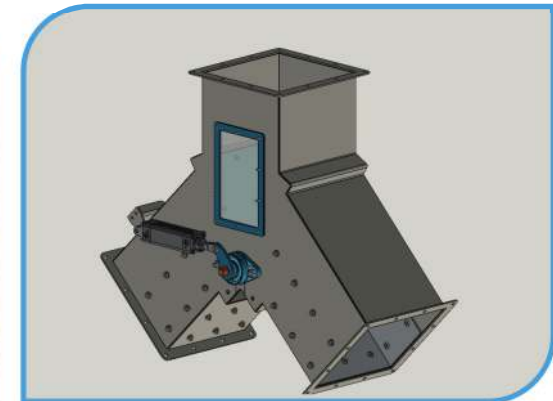
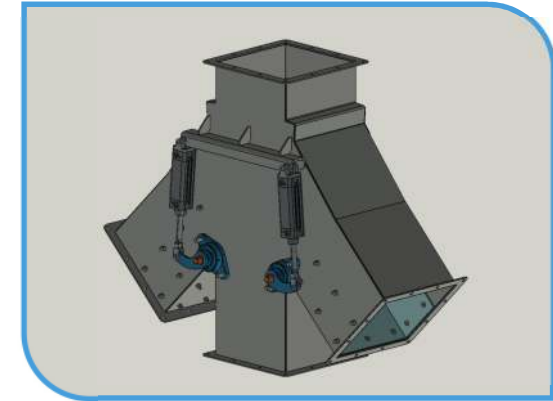
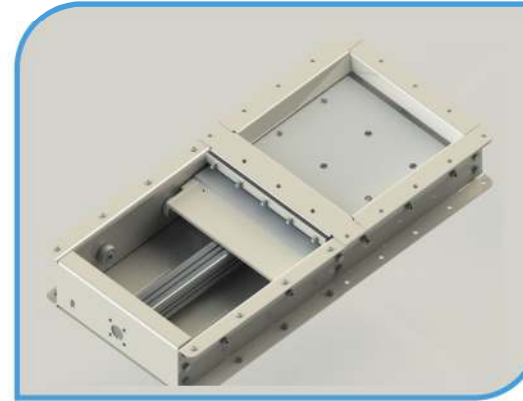
Fabricated from high strength material coated with (Painted , Hot deep galvanized or stainless steel) lined with abrasion-resistant material (UHMW, PEHD, Hardox....etc.) according to material characteristics.
 Regulate and control material flow.

Roller

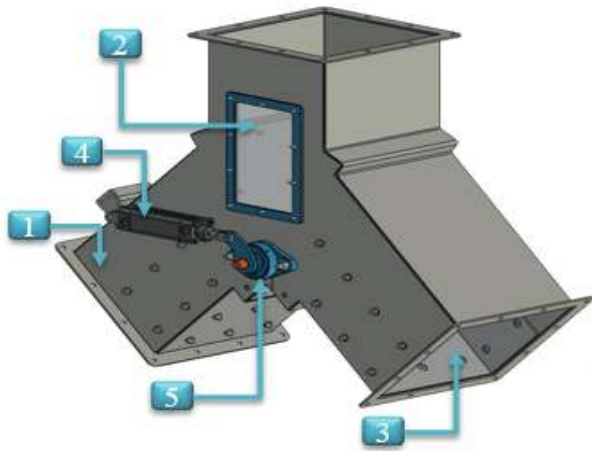
Adjustable rollers are used to keep the blade dust tight

Accessories

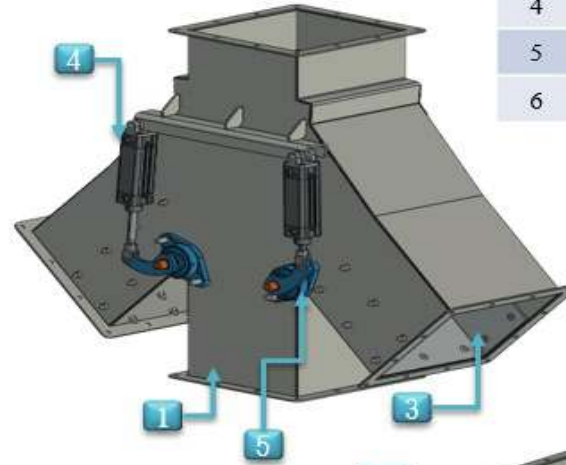
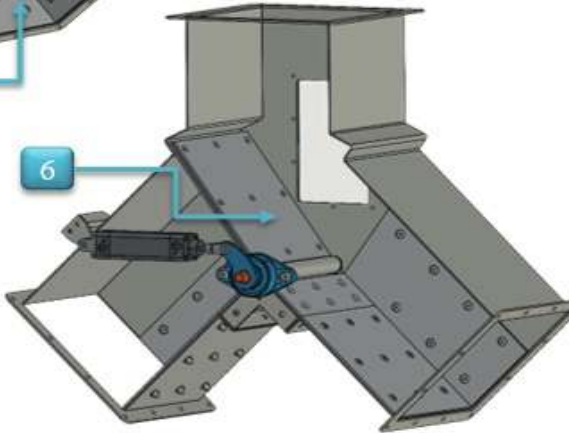
- Set of sensors (Limit switch, Emergency stop...etc.).



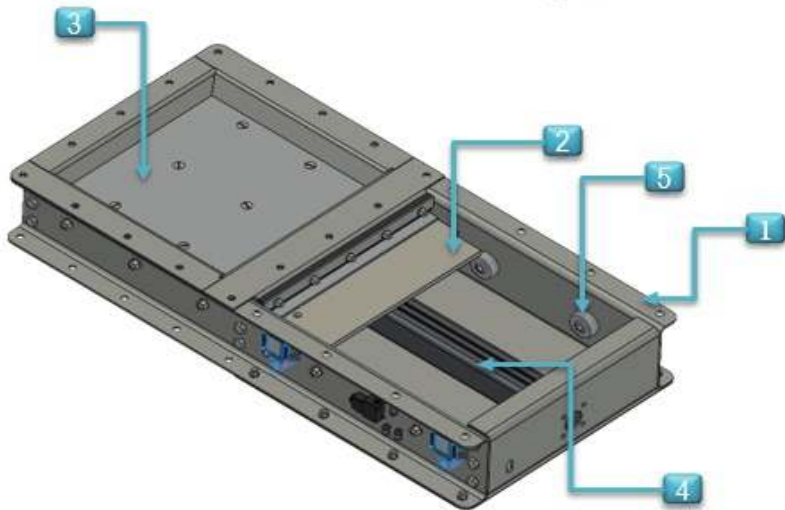
| | | | |
|---|---|-------------------|---|
| Capacity (m³/Hr.) | Up To 2,000 | Length (m) | Up to 4 |
| Width (m) | (3W-G) Up to 3 (2W-G) Up to 2 (S-G) Up to 2 | Hight (m) | (3W-G) Up to 3 (2W-G) Up to 2.5 (S-G) Up to 0.5 |
| Casing Surface Treatment "Acc. to application" | Painted Pre-galvanized. Hot-dipgalvanized | | |



| No. | Item Description |
|-----|--------------------------|
| 1 | Casing |
| 2 | Visual inspection window |
| 3 | Wearing Plate |
| 4 | Cylinder |
| 5 | Bearings |
| 6 | Flapper |



| No. | Item Description |
|-----|--------------------------|
| 1 | Casing |
| 2 | Visual inspection window |
| 3 | Wearing Plate |
| 4 | Cylinder |
| 5 | Bearings |
| 6 | Flapper |



| No. | Item Description |
|-----|-------------------|
| 1 | Slide Gate Casing |
| 2 | Slide Plate |
| 3 | Wearing Plate |
| 4 | Cylinder |
| 5 | Rolling Bearings |

